

# VISIANO 20-2 P TX

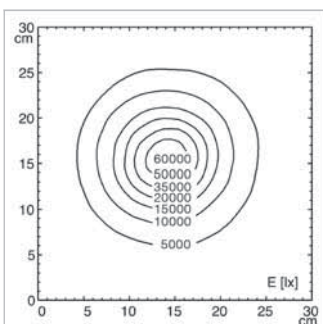
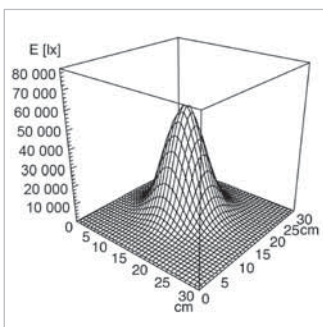
## TECHNICAL DATA

FITTED WITH	1 x LED module
LUMINOUS POWER	60 000 lux / 0.5 m *
ILLUMINANCE FIELD 0.5 m	Ø 21 cm *
COLOR RENDERING INDEX	CRI > 95
COLOR TEMPERATURE	3500 K & 4500 K *
OPERATION EQUIPMENT	Electronic converter
VOLTAGE	100-240 V; 50/60 Hz
CORD LENGTH	1,8 m
LUMINAIRE BODY	Polycarbonate & Acrylonitrile-butadiene-styrene-copolymer(PC & ABS)
WEIGHT (NET)	2,0 kg
POWER CONSUMPTION	21 W
USAGE	Touch panel on light head
BALANCE OF ARTICULATION JOINTS	Spring
CLASS OF PROTECTION	II
PROTECTION RATING	IP 20
STANDARDS MET	EN 60601-1, EN 60601-2-41
SPECIAL FEATURES	2 color temperatures, 4 dimming levels, anti-microbial (optional), rotary joint (360° turn-over axis)
MOUNTING	Mounting pin (Ø 16 mm)
ACCESSORIES	Rolling floor stand, rail mount with removal guard, table clamp with removal guard, universal mount with removal guard, wall mount with removal guard
ORDER NUMBER	D15.451.000-00633107 - pure white - Euro D15.456.000-00678230 - pure white - UK

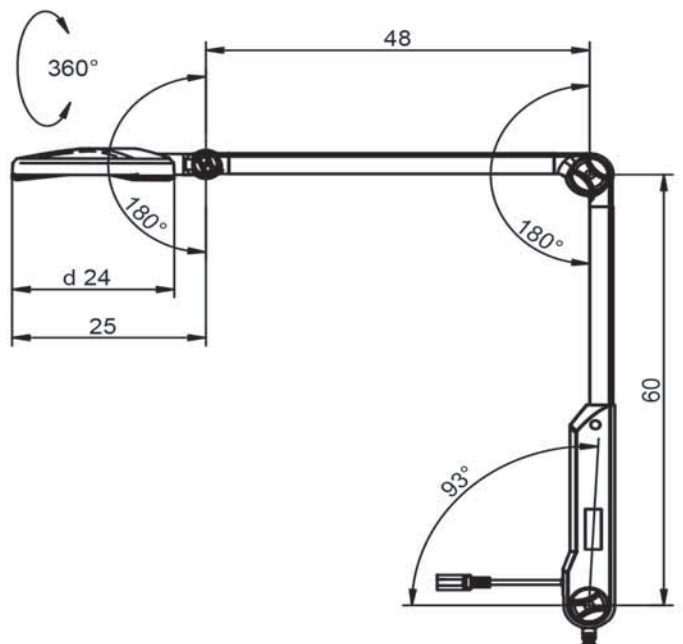
## EXAMINATION LIGHTS



## LIGHT DISTRIBUTION



## TECHNICAL DRAWING



measurements in centimeters

\* -10% / +20% tolerance